

Hard Disk Drive Type 2600

(Code: G575)

For Machine Code: G056/G058/G073/G074
INSTALLATION GUIDE

⚠ Caution

- Before installing options, the machine should be turned off and unplugged for at least thirty minutes. Components inside the machine become very hot, and can cause a burn injury if touched.
- When lifting the machine, use the grips on both sides. The machine could break or cause an injury if dropped.
- It is dangerous to handle the plug with wet hands. Doing this may result in receiving an electric shock.
- Before moving the machine, unplug the power cord from the outlet. If the cord is unplugged abruptly, it could become damaged. Damaged plugs or cords can cause an electrical or fire hazard.

🔧 Important

- Before touching the Hard Disk Drive, touch something metal to discharge any static electricity. Static electricity can damage the Hard Disk Drive.
- Check the printer nameplate to confirm the model code.

1 Check the contents of the box for the following items:

Description	Qty
Hard Disk Drive	1
Installation Guide (This sheet)	1

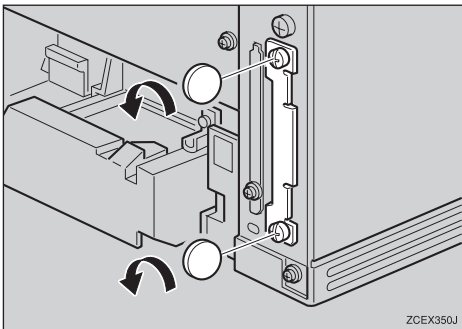
2 Confirm that the followings are true:

- The power switch is turned off.
- The interface cable is unplugged from the printer.

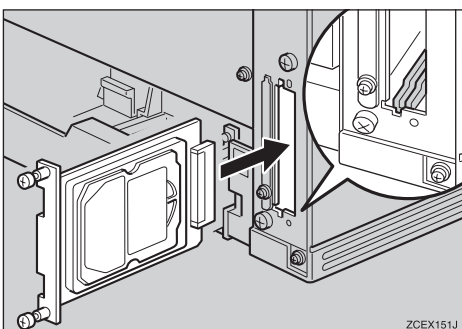
3 Use a coin to remove the two screws, and then remove the cover.

📌 Note

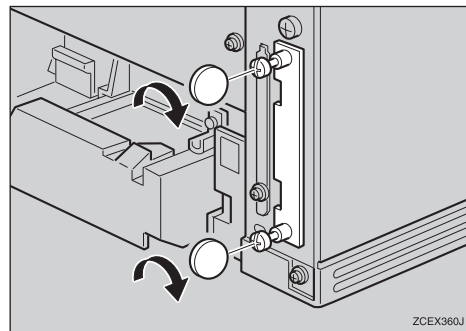
- The screws and cover are not needed when installing the Hard Disk Drive.



4 Slowly insert the Hard Disk Drive, while aligning it with the top and bottom rails in the printer, until it stops.



5 Fasten the Hard Disk Drive.



6 Attach the interface cable to the printer.

7 Plug the printer's power cord back into the wall outlet and turn on the power switch.

The following message appears on the panel display.

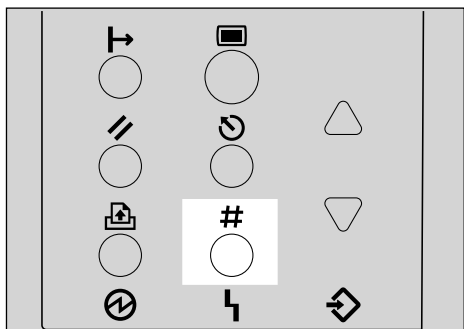
```
HDD error  
initialize?
```





8

Press **[Enter #]** to format the Hard Disk Drive.

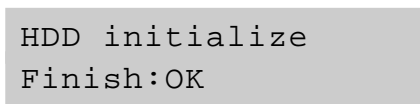


ZDDS021E

Important

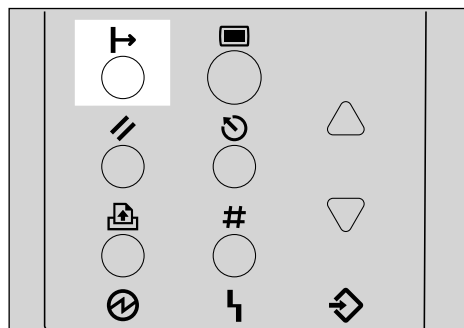
- Do not turn off the printer while formatting the Hard Disk Drive. Turning off the printer while formatting the Hard Disk Drive can damage the Hard Disk Drive.

If you successfully format the Hard Disk Drive, the following message appears on the panel display.



9

Press **[On Line ↶]** key.



ZDDS022E

"Ready" message appears on the panel display.



Important

- If you use a Windows operating system, you should set up the Hard Disk Drive with the printer driver to make the printer recognizes the installation. See a descriptions of Windows 95/98/Me, Windows 2000, Windows XP and Windows NT 4.0 on "Installing the Printer Driver and Software" in the Setup Guide.